



Ref: BPIRPS19

FORM 15 – This document is part of the Form 15 provided by BANA Consulting Engineers Structural & Civil Engineer specifically for Pemko Blue Pty Ltd trading as "Budget Patio Panels" ABN: 87 583 608 251

PANEL SPAN TABLE – NON-CYCLONIC REGIONS & CYCLONIC REGIONS

AUSTRALIAN STANDARD: AS1170.1, AS1170.2, AS4100, AS 4055-2006

Awning, Patio and Carports

subject to the following conditions: INSULATED PANEL SPECIFICATIONS

Self wt. of panel m2	50mm = 8.5Kg	75mm = 9Kg	100mm = 9.5Kg
Effective Roof Cover	950mm		
Number of ribs per panel	4		
Depth of Rib	33mm		
Rib Centres	240mm		
LOCKING SYSTEM	Male/ Female Z Lock join on bottom steel/ ceiling		
Steel Thickness	0.6mm Steel - Top and bottom Steel		
Steel Grade	G250		
Steel Coating	AZ150 Australian Standard		
Steel Painting	PE		
Coil	Purification Finish – Smoother Finish		
CORE - EPS	16Kg m3 – 50mm, 75mm, 100mm		
PROTECTION – PVC PLASTIC	10um		
Max roof height of building	8.5m		
R Value 50mm	1.55		
R Value 75mm	2.15		
R Value 100mm	2.55		
(Note: Refer to AS4055 for specifications of a domestic residence)			

SUPPORTING DOCUMENT FOR REFERENCE BPIRPS19 FORM 15 FOR BUDGET PATIO PANELS

## AUSTRALIAN STANDARD STEEL - 7 YEARS MANUFACTURERS WARRANTY

### ROOF, INSULATION AND CEILING - ALL IN ONE PANEL

Wind Category	Panel Thickness	STYLE 1 (3 or more sides Open)	STYLE 2 (2 sides Open)	STYLE 3 (1 side Open)	STYLE 4 (Fully Enclosed)	Maximum Overhang (each end)
<b>N1 / N2 (W28 / W33)</b>	100mm	7m	6m	5.5m	5.2m	1m
<b>N1 / 2 (W28 / W33)</b>	75mm	5.8m	5.3m	4.8m	4.4m	900mm
<b>N1 / N2 (W28 / W33)</b>	50mm	5.2m	4.8m	4.3m	4m	700mm
Wind Category	Panel Thickness	STYLE 1 (3 or more sides Open)	STYLE 2 (2 sides Open)	STYLE 3 (1 side Open)	STYLE 4 (Fully Enclosed)	Maximum Overhang (each end)
<b>3 (W41)</b>	100mm	6m	4.8m	4.3m	4.1m	1m
<b>N3 (W41)</b>	75mm	5.3m	4m	3.6m	3.4m	900mm
<b>N3 (W41)</b>	50mm	4.4m	3.4m	2.9m	2.6m	700mm

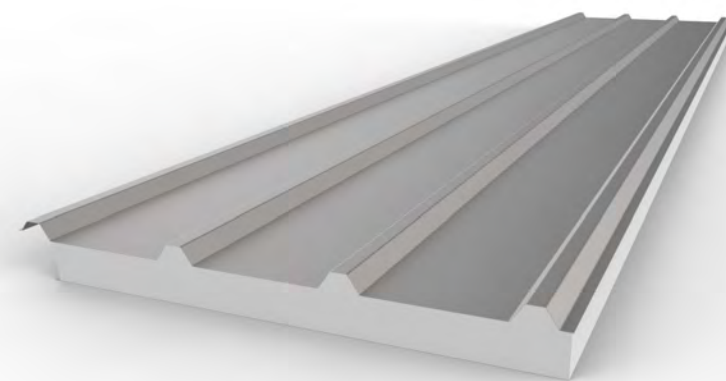
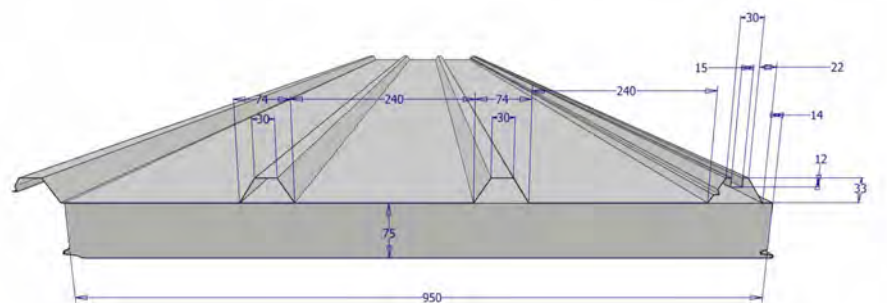
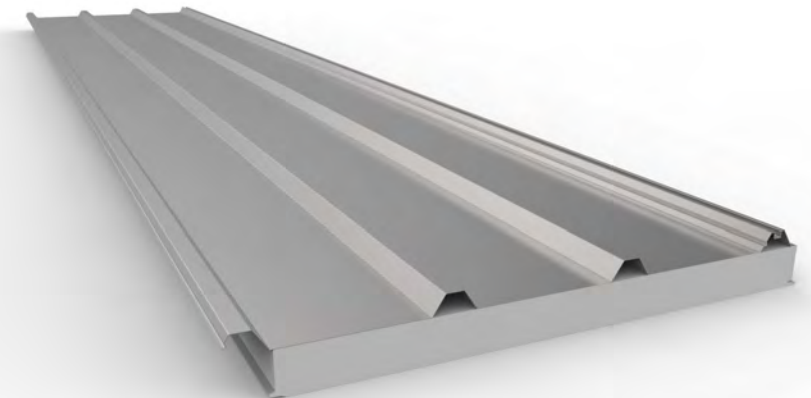
N1/N2/ N3 - Screw with cyclone washer every rib per panel, per beam

Wind Category	Panel Thickness	STYLE 1 (3 or more sides Open)	STYLE 2 (2 sides Open)	STYLE 3 (1 side Open)	STYLE 4 (Fully Enclosed)	Maximum Overhang (each end)
<b>N4 (W50)</b>	100mm	4.7m	3.5m	3.3m	2.5m	600mm
<b>N4 (W50)</b>	75mm	4.1m	3.1m	2.8m	2.8m	500mm
<b>N4 (W50)</b>	50mm	3.5m	2.7m	2.5m	3m	500mm
Wind Category	Panel Thickness	STYLE 1 (3 or more sides Open)	STYLE 2 (2 sides Open)	STYLE 3 (1 side Open)	STYLE 4 (Fully Enclosed)	Maximum Overhang (each end)
<b>N5 (W60)</b>	100mm	3.4m	2.8m	2.6m	2.5m	500mm
<b>N5 (W60)</b>	75mm	3.1m	2.5m	2m	2m	500mm
<b>N5 (W60)</b>	50mm	2.8m	2.3m	1.8m	1.7m	500mm

N4/ N5 - Screw with cyclone washer every rib per panel, per beam plus 3 screws per pan with embossed washer

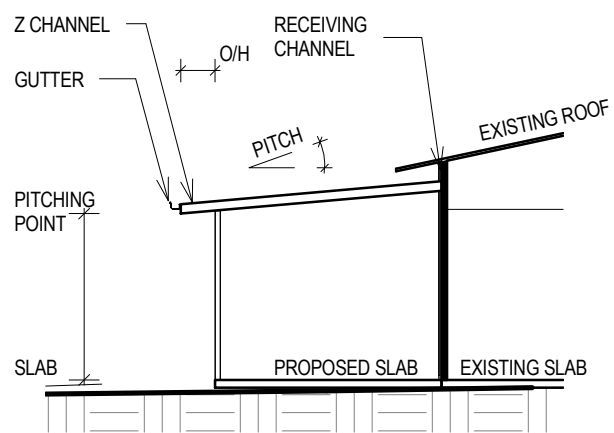
Wind Category	Panel Thickness	STYLE 1 (3 or more sides Open)	STYLE 2 (2 sides Open)	STYLE 3 (1 side Open)	STYLE 4 (Fully Enclosed)	Maximum Overhang (each end)
<b>C1 (W41C)</b>	100mm	5.4m	4.6m	3.8m	3.8m	900mm
<b>C1 (W41C)</b>	75mm	4.9m	3.9m	3.2m	3.1m	800mm
<b>C1 (W41C)</b>	50mm	4.2m	3.1m	2.6m	2.6m	700mm
Wind Category	Panel Thickness	STYLE 1 (3 or more sides Open)	STYLE 2 (2 sides Open)	STYLE 3 (1 side Open)	STYLE 4 (Fully Enclosed)	Maximum Overhang (each end)
<b>C2 (W50C)</b>	100mm	4.6m	3.6m	2.9m	2.8m	500mm
<b>C2 (W50C)</b>	75mm	4m	2.9m	2.4m	2.4m	500mm
<b>C2 (W50C)</b>	50mm	3.4m	2.3m	2m	1.9m	500mm

C1/ C2 - Screw with cyclone washer every rib per panel, per beam plus 3 screws per pan with embossed washer



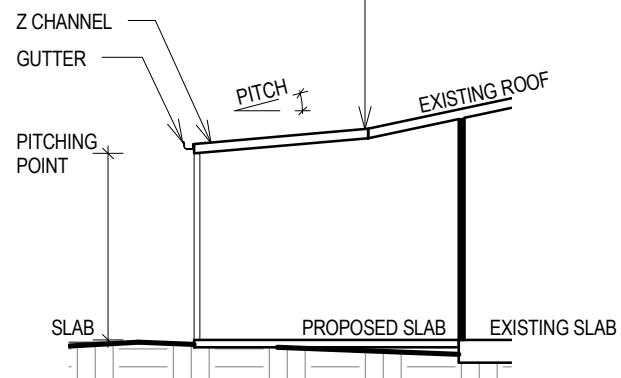
WEBSITE-[www.budgetpatriopanel.com.au](http://www.budgetpatriopanel.com.au)  
EMAIL-[budgetpatriopanel@gmail.com](mailto:budgetpatriopanel@gmail.com)



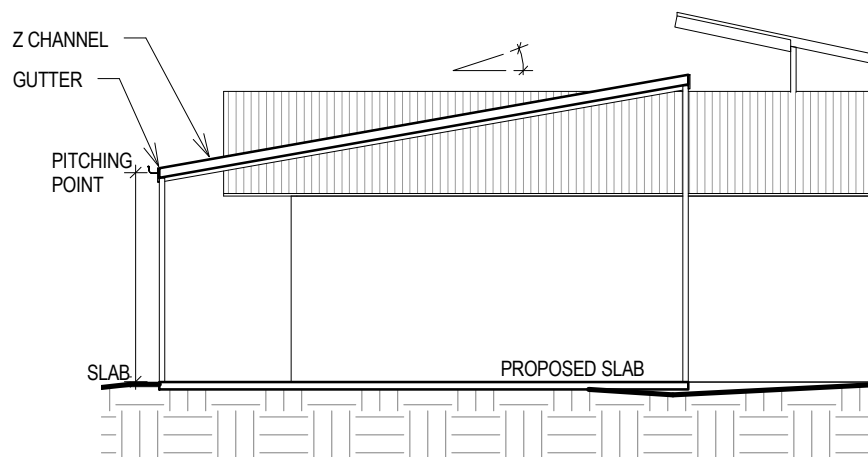


**1 WALL MOUNTED**

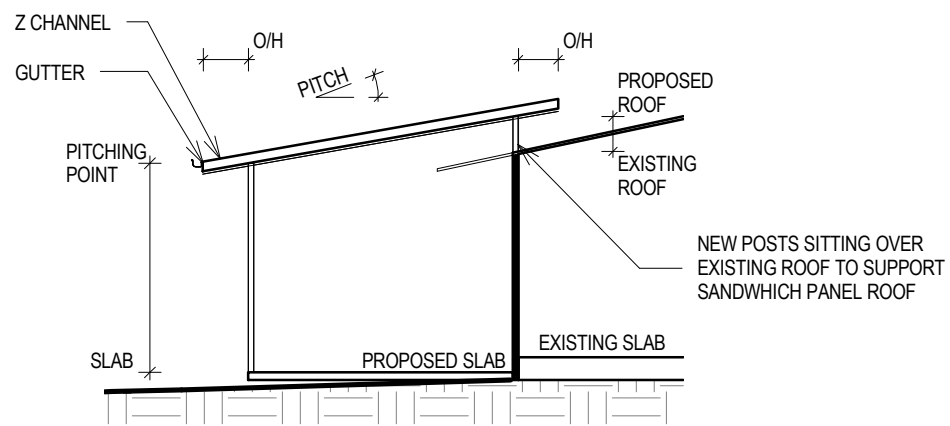
PROPOSED SANDWICH PANEL ROOF TO BE FIXED TO EXISTING GUTTERING



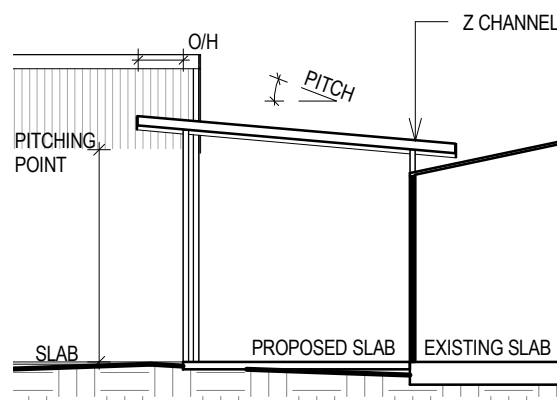
**3 ATTACHED**



**5 STAND ALONE**

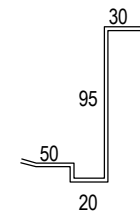
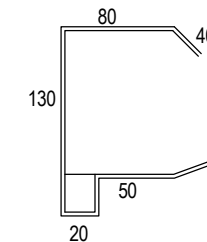


**2 FLY OVER 01**



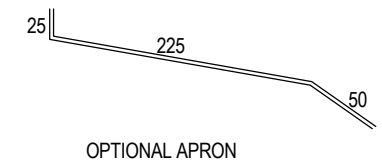
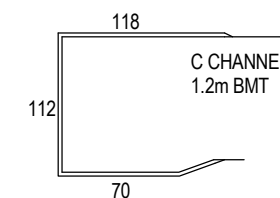
**4 FLY OVER 02**

**IMPORTED FLASHINGS**

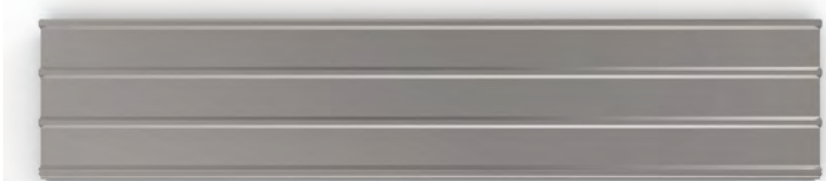
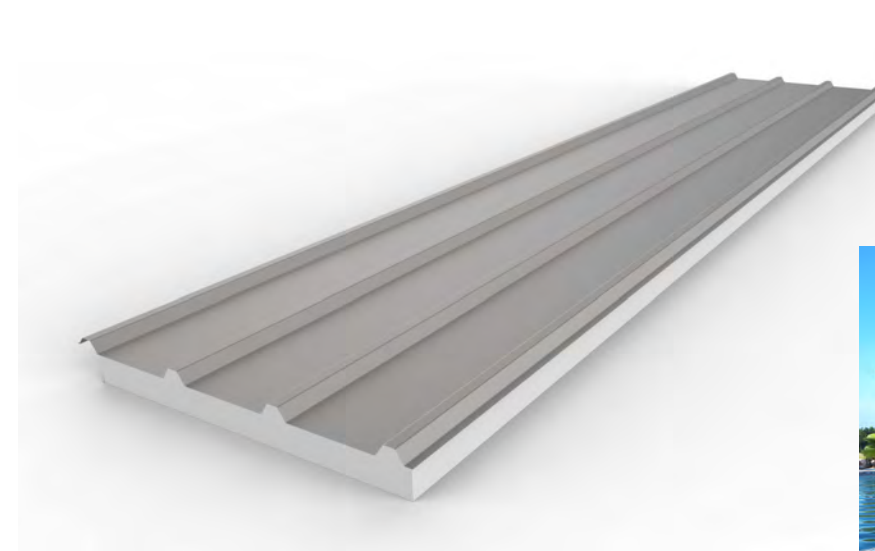
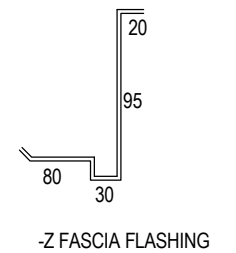
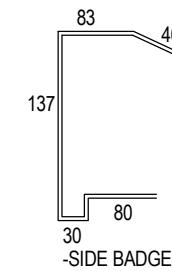
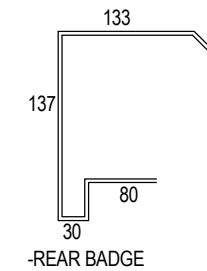


FLASHING IN OFF WHITE COLOUR (SAME AS COLOUR OF PANELS)

**CUSTOM & CHANNEL + APRON**

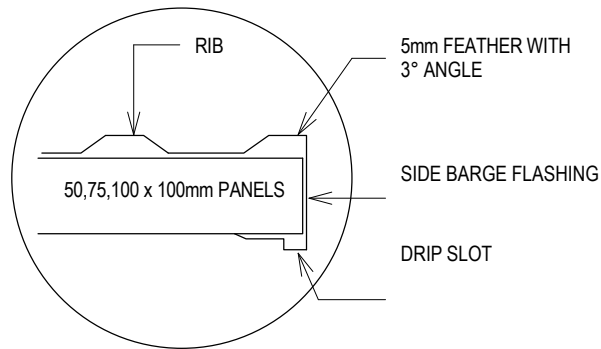


**CUSTOM MADE FLASHINGS, MADE TO LENGTH + COLOUR**

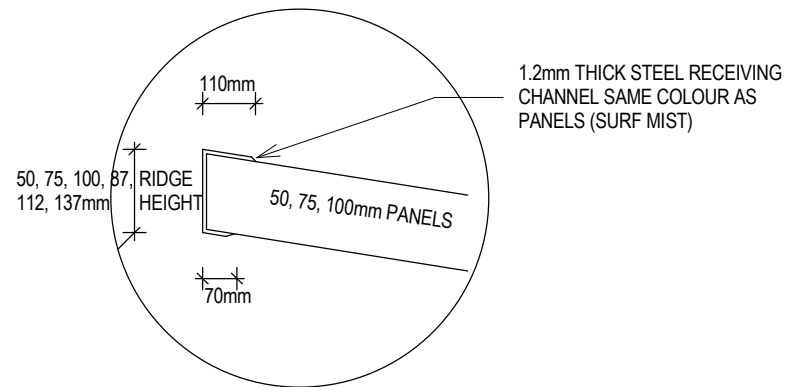


WEBSITE-[www.budgetpatiopanels.com.au](http://www.budgetpatiopanels.com.au)  
EMAIL-[budgetpatiopanels@gmail.com](mailto:budgetpatiopanels@gmail.com)

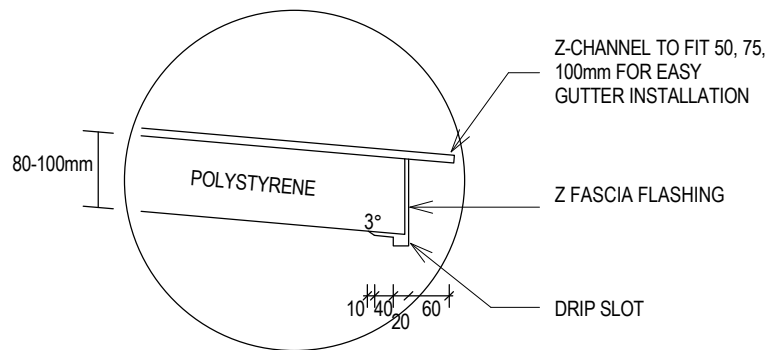




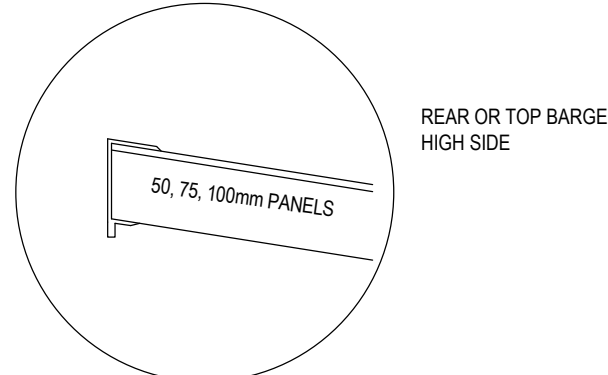
TYPICAL DETAIL OF BARGE/ SIDE FLASHING ON 50, 75, 100mm PANELS



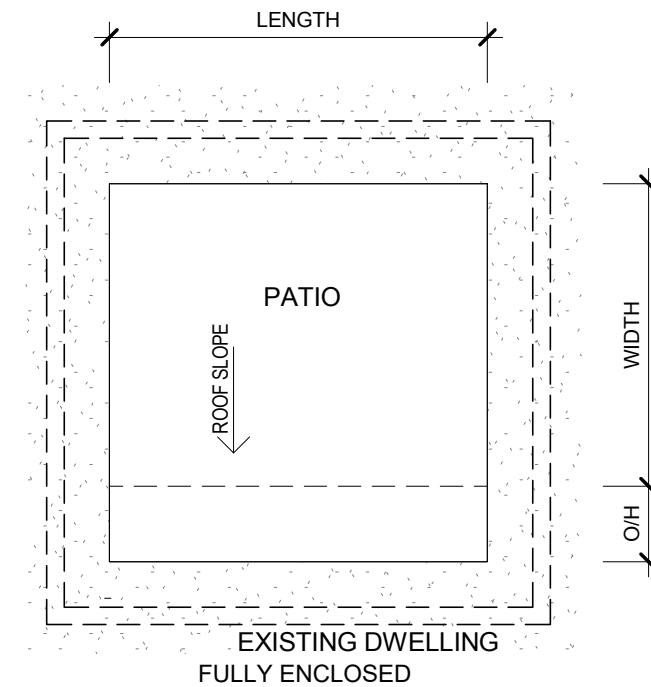
TYPICAL DETAIL OF RECEIVING CHANNEL ON 50, 75, 100mm PANELS



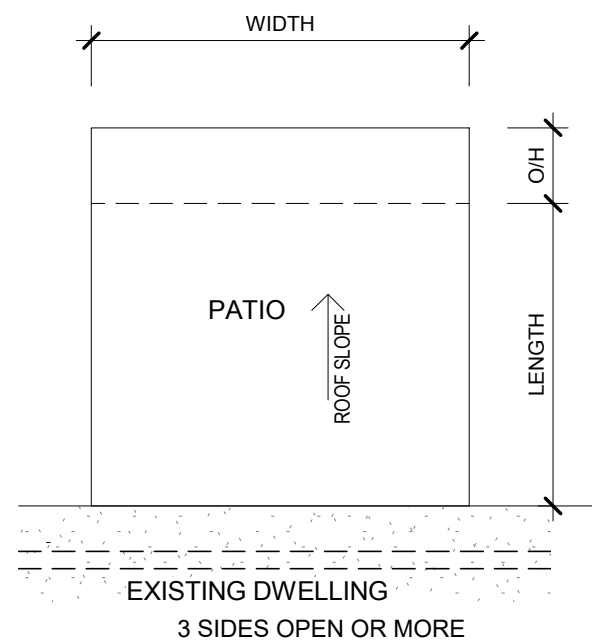
TYPICAL DETAIL OF Z-CHANNEL FOR THE GUTTER SIDE ON 50, 75, 100mm PANELS



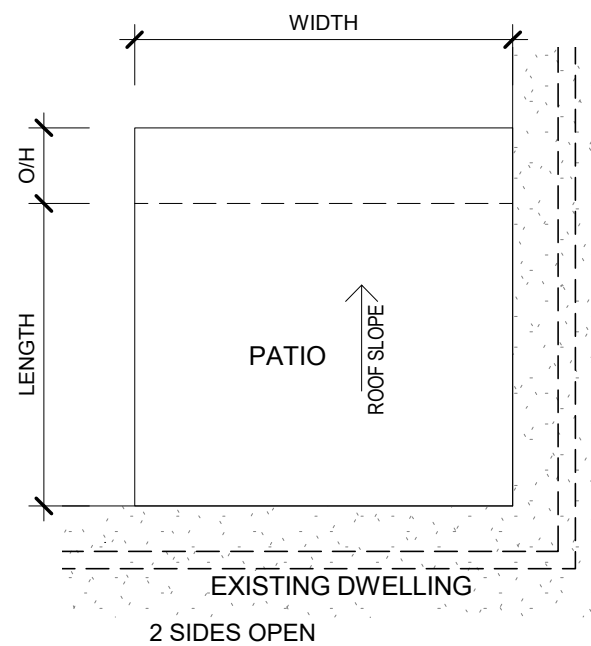
TYPICAL DETAIL OF REAR BARGE ON 50, 75, 100mm PANELS



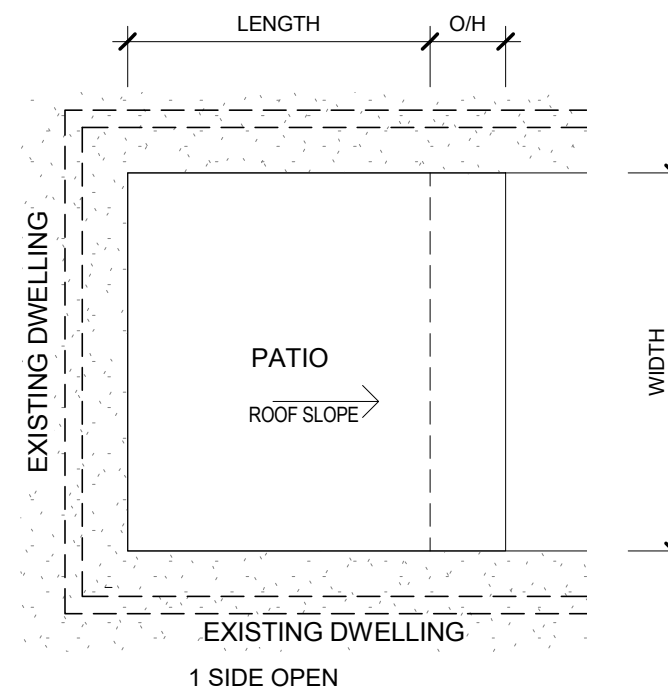
④ PATIO DESIGN 04



① PATIO DESIGN 01



② PATIO DESIGN 02



③ PATIO DESIGN 03

- NOTES:
1. A SIDE WALL IS CLASSED AS CLOSED IN, IF 70% OF THE CROSS SECTIONAL AREA IS COVERED
  2. LENGTH, WIDTH & OVERHANG TO OWNERS PREFERENCE IN ACCORDANCE WITH SPAN TABLE

MINIMUM PITCH:  
TRIM PANEL - 2°



WEBSITE-[www.budgetpatiopanels.com.au](http://www.budgetpatiopanels.com.au)  
EMAIL-[budgetpatiopanels@gmail.com](mailto:budgetpatiopanels@gmail.com)

